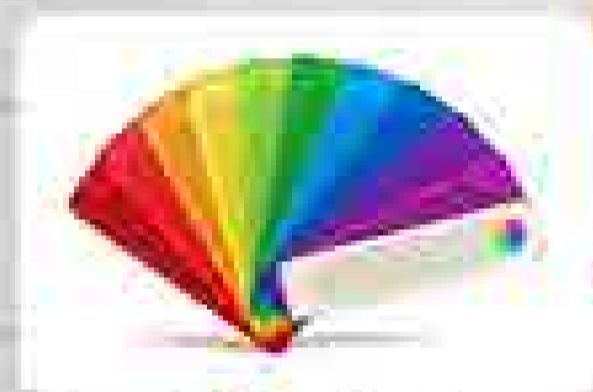


PERFECT LASER

3D Intelligent Wall Printer Machine for Large Format Printing with Pad Control

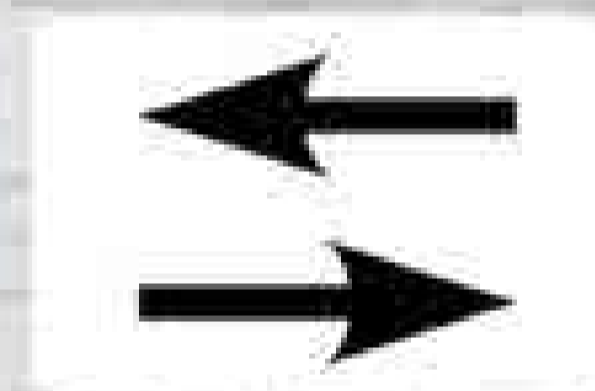
Model: PE-S70/S80



Vivid
Color



Seamless
Splicing
Function



Unlimited
Width
Printing



9600 DPI
High
Precision



Customer-orientated:

Wish to provide benefit to agents and customers

Free pre-sales consulting, free sample service

Life-long service

Engineer overseas installation available

2 hours quick feedback & 24 hours after-sales service

10000+ customers choice

Perfect Laser wish to be your reliable business partner

1. Perfect Laser industrial wall printer has been technically upgraded.

2. The connection between the longitudinal frame and horizontal track is upgraded from the previous belt connection type into interlock type. There is no belts between the frame, the tracks can be locked one by one, and the roller can move on the track freely.

3. The track use interlock connection, it will be easier to install and uninstall. During the large-format printing, you can take down the track from the printed side, and install it into another side which gonna to be print. It can lengthen the tracks and make the work continuously. So unlimited width printing can be achieved without buying additional tracks.

4. In addition, the longitudinal frame can be raised into 3 meters height, and the width of the right motor is reduced into 25 cm, which greatly improves the distance between the machine from the wall and from the ground.





Seamless Stitching Function

The upgraded version of PE-S80 improves the seamless splicing technology on the original basis. It can automatically divide the super-sized pattern into multiple areas for printing, and realize seamless splicing by automatically identifying the starting point, presenting a complete picture. No matter how big the picture is, Perfect Laser will achieve perfect printing for you!

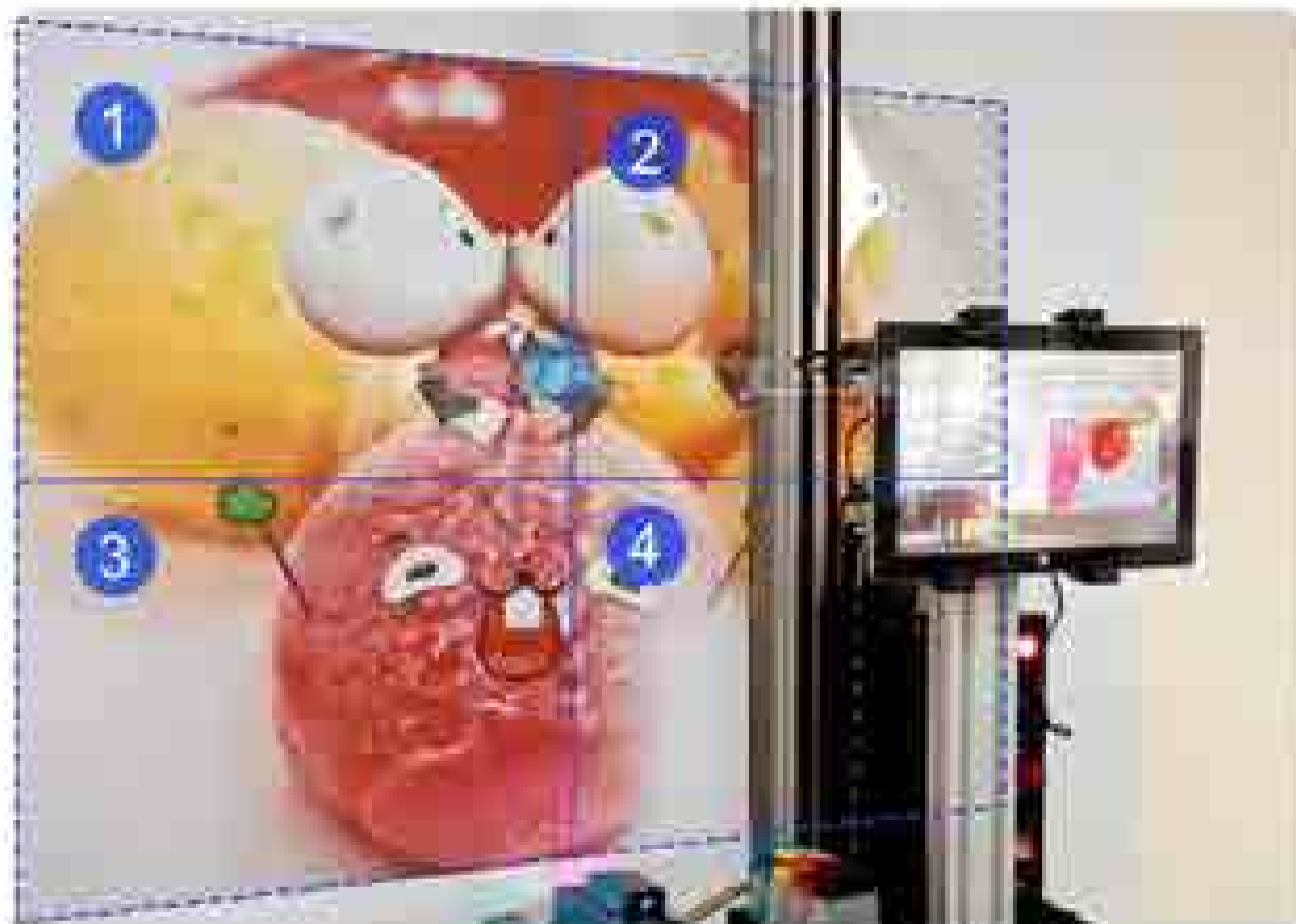
The following is an introduction to the different forms of printing:

- ▶ **One-time printing:** When the height of the picture frame does not exceed 2 meters and the width does not exceed the width of the guide rail, there is no need to perform partition printing, and a perfect picture can be created at one time.





- ▶ When the width of the frame exceeds 2 meters, use scaffolding to raise the machine, and then perform partition printing.

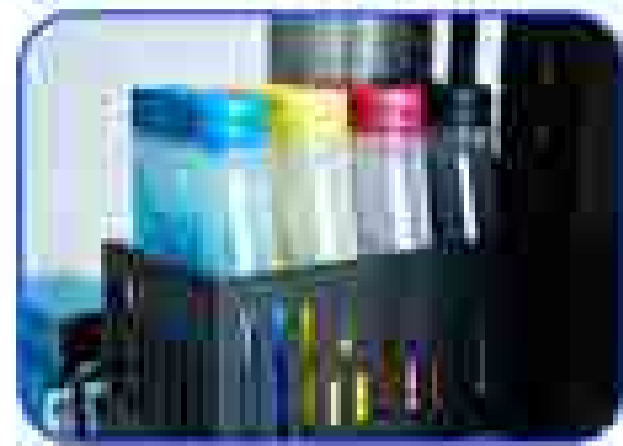


- ▶ When the height of the frame exceeds 2 meters and the width exceeds the width of the machine guide rail, the picture can be divided into multiple areas (4, 6, 9, 16, etc.) for printing.



- ▶ **Supplement:**

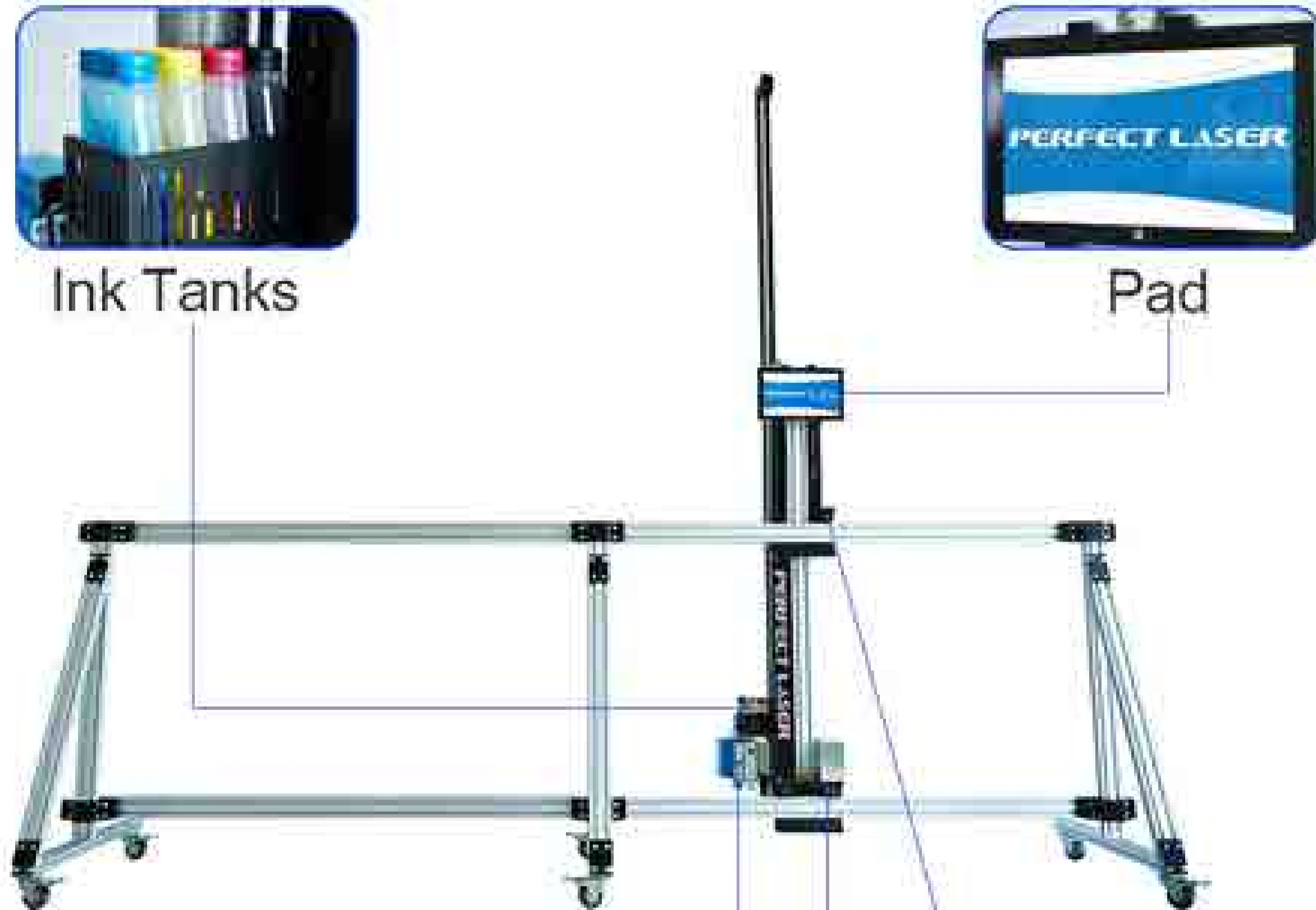
When printing in zones, the machine first needs to print the area in the upper left corner (we call it "Area 1"). After printing, the machine completes the positioning mark. You can select any area next to "Area 1" to print, at this point, the machine can automatically identify the starting point to achieve seamless splicing.



Ink Tanks



Pad



Printing Head



Rollor

1. Wall Material

Interior and exterior wall putty wall, latex painted wall, white wall, Imitation porcelain walls, rice paper, wall clothing, color coating glaze, shell powder, color grain paint, etc.



2. Non-adsorbent Material

glass, ceramic tiles, wood, metals, etc.



Glass



Ceramic Tile



Wood



Metal

Applicable Industries

The wall printer is widely used in home decoration, advertising industry, cultural and educational industry, government propaganda, hotel decoration, art experience museum, etc.



home decoration



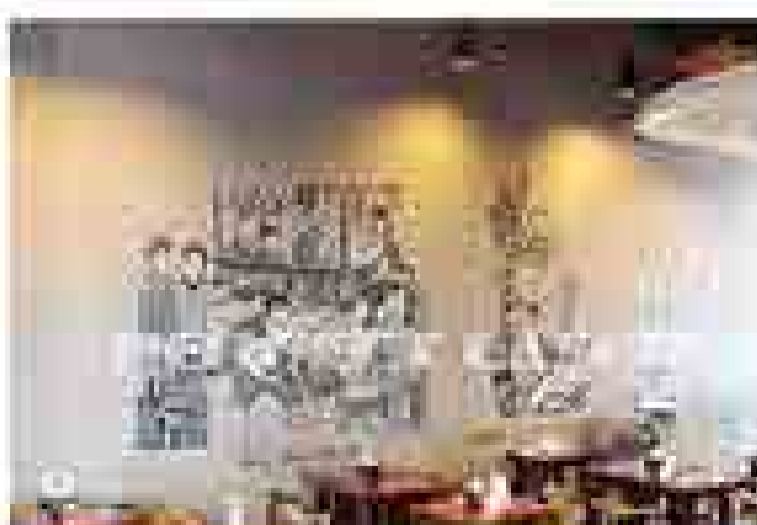
advertising industry



cultural and educational



government propaganda



hotel decoration



art experience museum

- 1** The new wall printer is controlled by a advanced touch screen pad. The U disk can be inserted directly into the pad to import files. The operation is simple, and the pad can shut down within 20 minutes automatically to save power.
- 2** The machine have "picture seamless splicing function" and the track uses interlock design, it can be in-lock and take down from the printed side, then install to another side which gonna to be printed. So it can realize large-format unlimited printing from software and hardware respectively.
- 3** The wall printer body is made by special aluminum magnesium alloy, with higher strength and light weight. It uses triangular principle design to realize stable structure. It is durable and easy to carry.
- 4** The wall printer adopts brush-less servo motor control system. It can achieve higher accuracy and faster speed of colourful drawing and it' s totally free of maintenance.
- 5** The wall printer adopts "VSDT variable ink-drop technology". It can work together with a complete set of new program algorithm. The smallest ink drop is 3.5PL, the largest ink drop is 27PL. No matter indoor painting or outdoor painting, it can achieve the perfect quality of vivid color painting.
- 6** It has "breakpoints automatic filling function". It can remember the breakpoints when machine meet interrupting, and automatic restore into the starting position when power failure and continue to print next time.

7 The wall printer adopts inner UPS backup power supply to realize automatic charging, automatic switching when voltage instability or power failure. The machine can go on working for 10 hours when power failure. (when backup battery full-charged).

8 The machine has integrated printing head design, separable structure, can effectively avoid the damage caused by bumping in the delivery. The printing head adopts full-enclosed nozzle fixing plate. It can protect the nozzle and prolong the actual life of nozzle.

9 The wall printer adopts USA imported "BANNER" brand sensor, dual sensors, can sense from up and down, arc surface tracking. It can realize automatic positioning, automatic adjustment to the uneven wall and tilt wall. It can reduce the risk of damage to the printing head effectively.

10 Optional Item: folding-design longitudinal frame. The height of longitudinal frame after folding is 1.55m, which is more convenient for using and delivery. (Charged additionally)

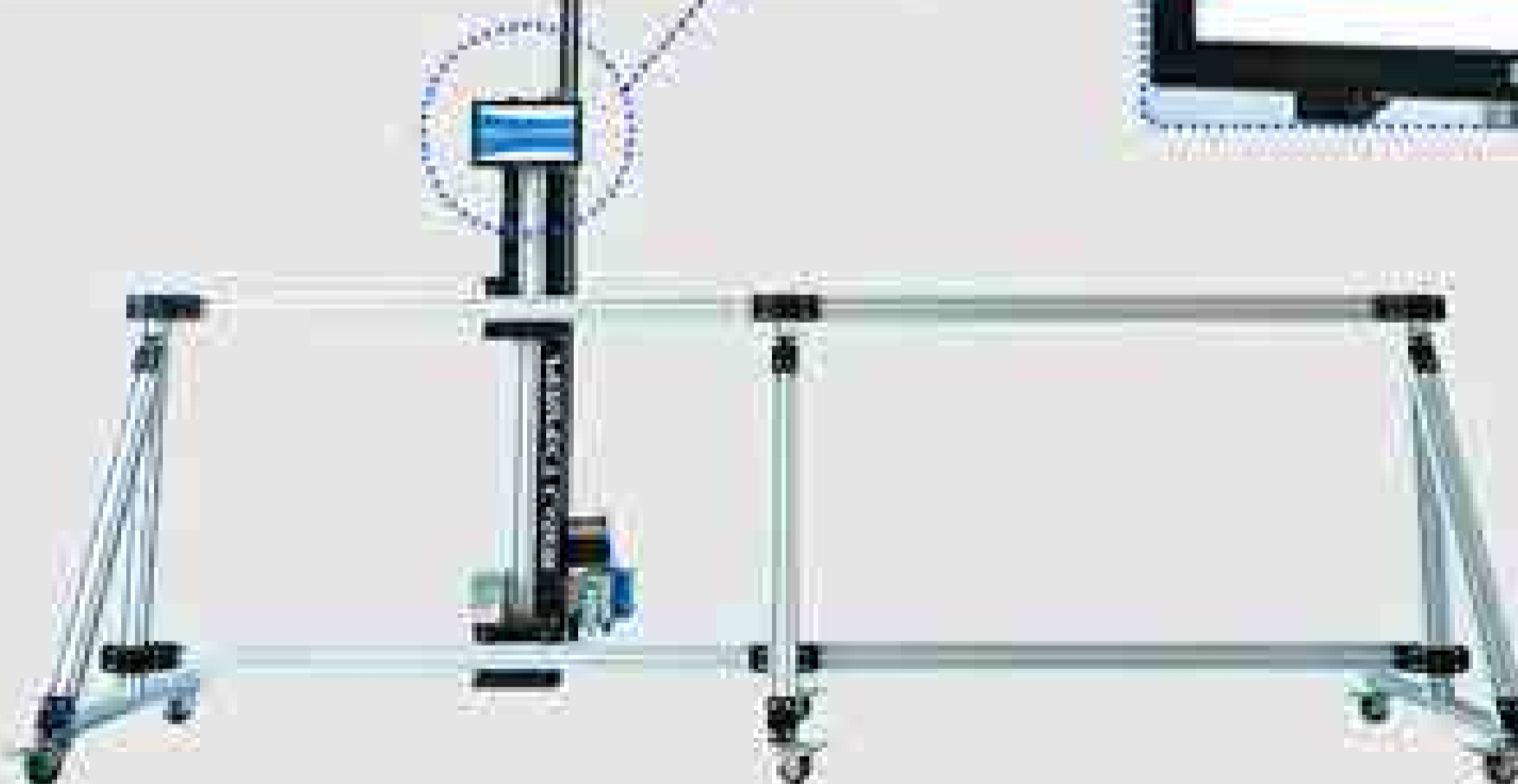
11 Standard painting direction is from left to right, Perfect Laser also can customize the printing from right to left. (it should be informed before production).

12 If you have demand for printing on non-planar materials, for example: car bodies, Perfect Laser can customize it accordingly to your demanding. (It will be charged additionally)

1

Pad Control

Using pad to control,
very easy to operate.
The pad can shut down
within 20 minutes to
save energy.





2

Control Panel

One-key turn on,
easy operation.



- USB Interface
U-Disk port connection,
can import file easily.

3

Printing Head

Adopts Japan famous brand nozzles.
The number of nozzles can be customized according to
customer needs. The more the number, the faster the
printing speed.

Standard configuration



PE-S70:1PC



PE-S80:2PCS





4

Ink Tanks

Each machine is equipped with four ink tanks. The machine can print vivid color and create beautiful image as you want.

5

Ink Absorber

It has good sealing performance, high efficiency of sprinkler cleaning, less ink waste, strong adsorption capacity.



**6**

Photoelectric Switch

The printing head can automatically expanding, and always keep a suitable distance with the wall, effectively prevent the printing head from being damaged.

**7**

Motor Unit

The motor unit on the right has a more exquisite design with a width of only 25 cm, which makes the distance from the wall smaller, so that the printing width larger when printing indoor.





8

Roller Wheel

By using interlock design, the tracks can be installed and taken down one by one, the roller can move on the track freely.

9

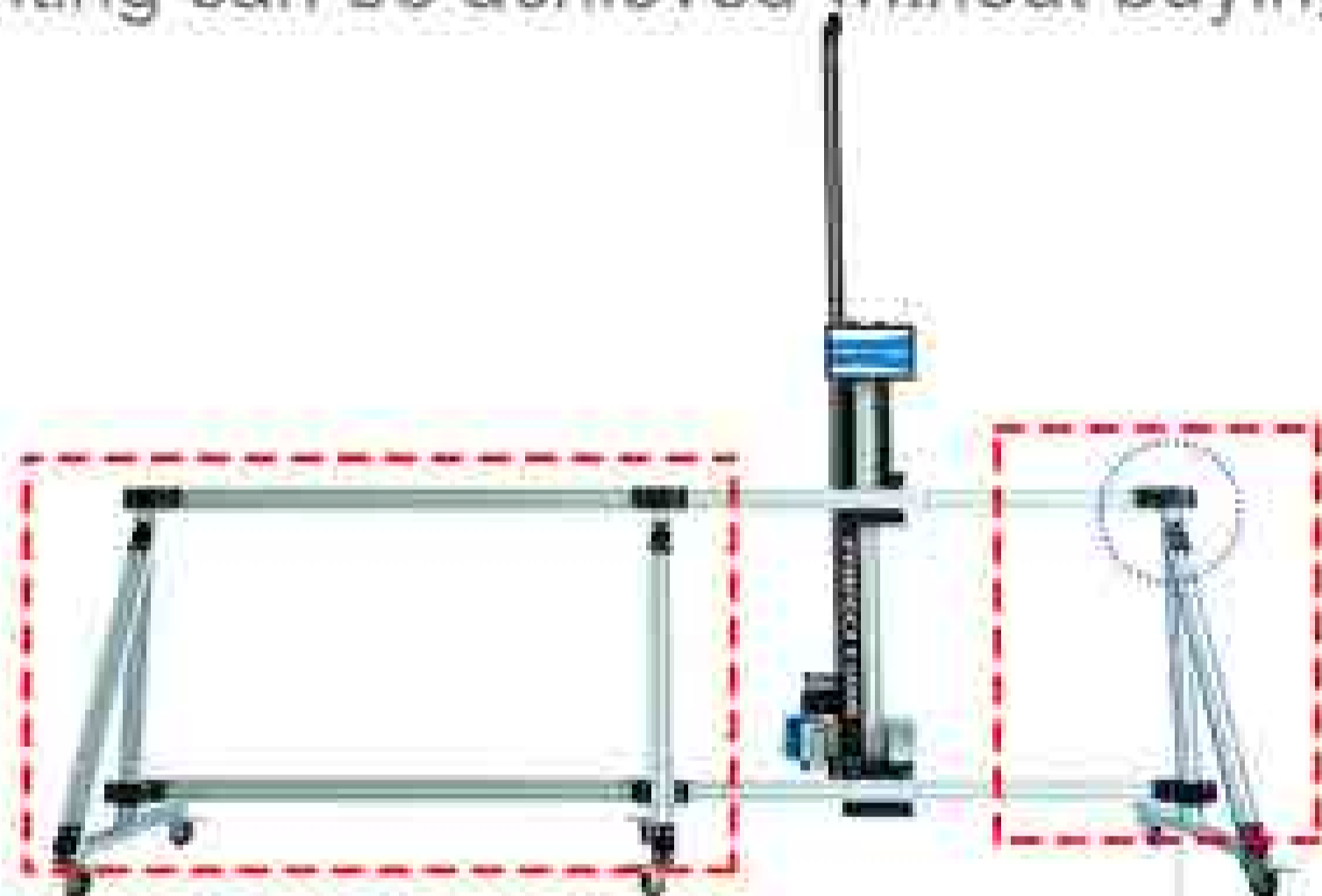
Photoelectric Switch

Red light pointer is for positioning and seamless splicing. It can indicate the starting point in every small splicing area, makes super-large images printing to be so easy.



10 Horizontal Rail

When doing large-format printing, you can take down the track from the printed side, and install it into another side which gonna to be print. It can lengthen the tracks and make the work continuously. So unlimited width printing can be achieved without buying additional tracks.



Connection Module



Before connecting



After connecting

11

Universal Wheel

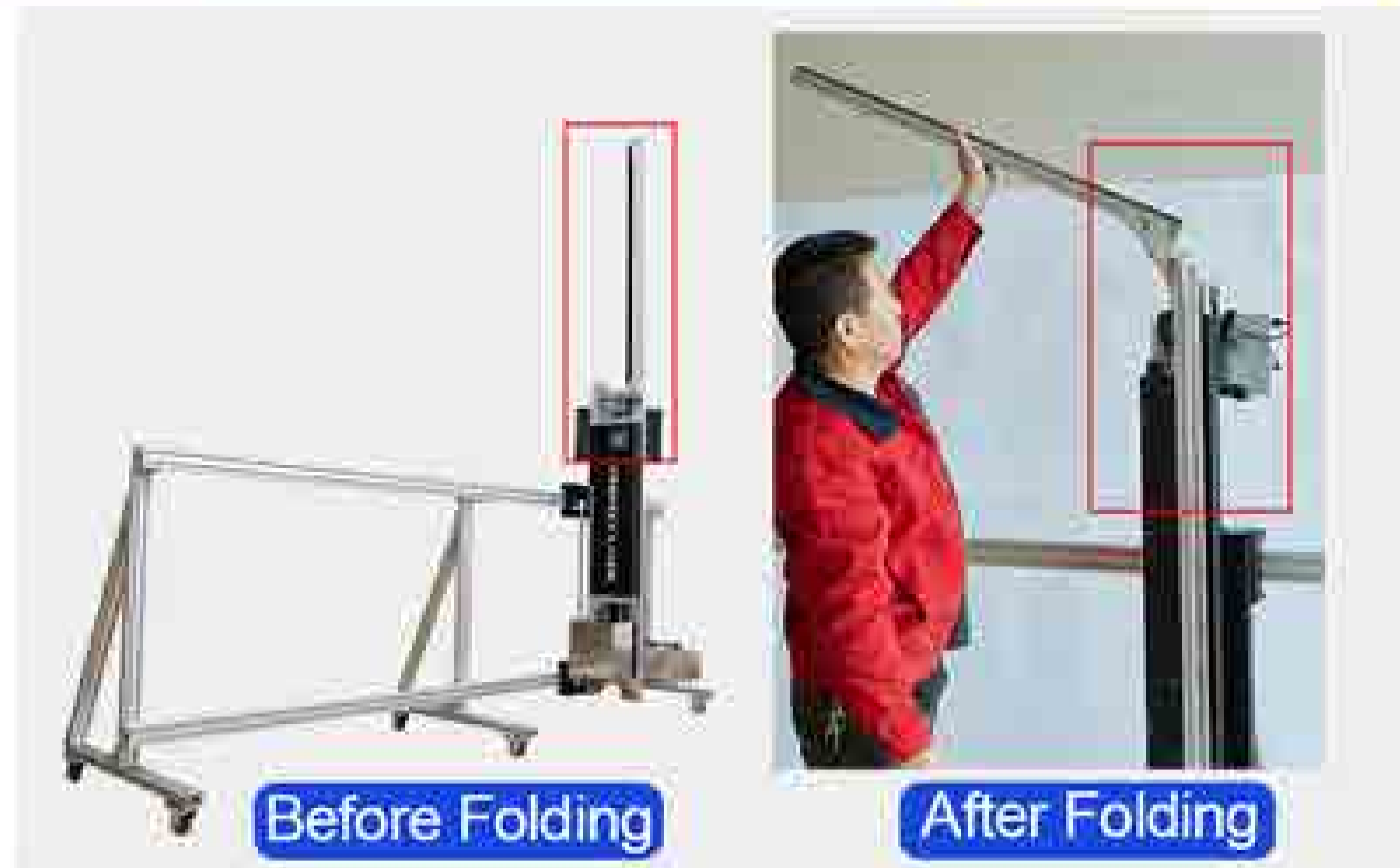
Convenient to move the machine to any place you want.





Foldable Longitudinal Frame

The height after folding is 1.55m, which is more convenient for delivery.



Multiple Nozzles

The more nozzles, the faster the printing speed. The printing speed can reach 128 m² /h when equipped with 4 nozzles. Up to 10 nozzles can be installed.

When printing, you can select one or more nozzles. Even if one of the nozzles is damaged, the other nozzles can still maintain the normal operation of the machine.



Professional Wall Printing Ink

Adopt imported color mill base, won't get icing even at -30°C, no need heating.

The synthetic pigment won't get fade and fall off, wear-resistance, green and environmental.



Protective Fluid

Can effectively protect the nozzle of the print head from being blocked.



Treatment Fluid

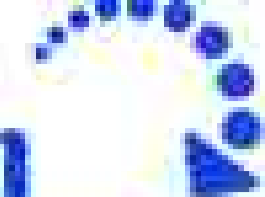
Used for pretreatment of non-absorbent materials such as glass, canvas tile, wood, metal, etc.

Model	PE-S70 PE-S80	
Printing Head	Japan imported industrial grade printing head	
	1 pc	2 pcs
Painting Speed	32 m ² /h	64 m ² /h
Main-board Configuration	6-core CPU, 2GB DDR memory	8-core CPU, 4GB DDR memory
UPS Battery Life	About 10 hours	About 12 hours
Rail Size (L×H)	3000mm×2500mm	4500mm×2500mm
Host Size (L×W×H)	400mm×320mm×2500mm	
Sensor	Double	

X Axis Effective Stroke	2000mm	<i>PERFECT LASER</i>
Y Axis Effective Stroke	Unlimited	
Z Axis Effective Stroke	150mm	
Z Axis Guide	170mm	
Ink Consumption Per Square	6-10ML	
Nozzle Protective Device	Have	
Painting Accuracy	9600DPI	<i>PERFECT LASER</i>
Painting Direction	Vertical	
Ink Tank Capacity	400ML=100ML×4	

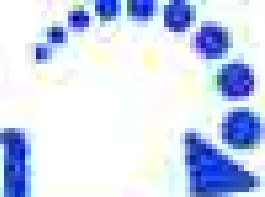
Spray Distance	0.5-2.0cm
Ink Supply Method	Automatic ink supply under negative pressure
Data Transmission Method	USB2.0/3.0
Certification	CE/GB18582-2001/GBT9756-2001
Power Supply	AC110V (90-132V)/AC220V (180-264V) , 47-63HZ
Power Consumption	No load:20W, Generally:75W, MAX: 250W
Noise	Standby <20dBA, Drawing <50dBA
Working Temperature	-10°C-60°C (14°F-140°F) 10%-80% relative humidity, non-condensing
Storage Temperature	-30°C-60°C (-22°F-140°F) 10%-80% relative humidity, non-condensing

Language	Chinese and English (Customized)	
Total Body Weight	30 kgs	32 kgs
Total Track Weight	26.5 kgs	38 kgs
Training	VCD training, Engineer overseas training is available(charged additinally)	
Guarantee	12 months	



Main Difference Between S series and H series

Model	S series	VS	H series
Track	Triangle structure , Stable		H Shape Track, suitable for very flat ground
Standard Print Area	2.5mx4.5m (S80)		2.5mx3m
Nozzle Quantity	2 pcs		1 pc
Print Speed	64 m ² /h		32 m ² /h
Control Method	8 inches PAD, removable		Intergrated LCD touching screen, 12 inches
Moving Way	move on the tracks		can move by wheels on floor directly, also can move on tracks



Requirement For The Floor	low requirement for flatness of ground, suitable for outdoor working	high requirements for the flatness of the ground , it is equipped with level gauges to ensure that the track is completely horizontal and vertical
Applicable Environment	Indoor and outdoor	Indoor decoration



Wooden Packing (Standard)



Advance Aviation Packaging Box (Optional)
(Extra Charge)



48 Hours Running Test



72 Hours Aging Test



12 Months
Guarantee for
the whole
machine

VCD
Training,
Easy
Installation

10-15
Working
Days Lead
Time

PERFECT LASER

12
Hours
Response

TT / LC /
Ali Trade
Assurance
Payment

Air/DHL
Shipping



Q1: Are you a factory or a trade company?

A1: We are a factory.

Q2: Where is your factory located? How can I visit there?

A2: Our factory is located in Wuhan, Hubei province, China.

All our clients are warmly welcome to visit us!

Q3: Do you have any certificates?

A3: All series of machines have passed CE certification.

Q4: What is the trade term?

A4: FOB/CIF/CFR/EXW are favorable.

Q5: What is the payment term?

A5: T/T.

Q6: Do you arrange shipment for the machines?

A6: Yes, We can arrange shipment based on FOB/CIF terms.

For EXW price, shipment should be arranged by your shipping agents.

Q7: Warranty?

A7: 12 months guarantee.

Q8: How is the packing?

A8: All the packing comply with exporting standard.

Q9: How long is the lead time?

A9: 7-10 working days.

For other questions, we will reply you ASAP after receiving your consult!